

RADIALL COAXIAL department



TECHNICAL DATA

R 128 595 000

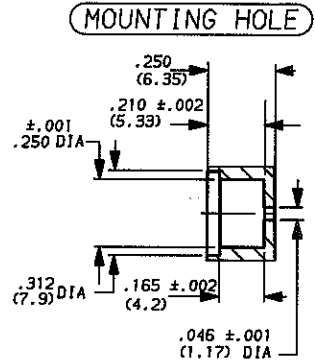
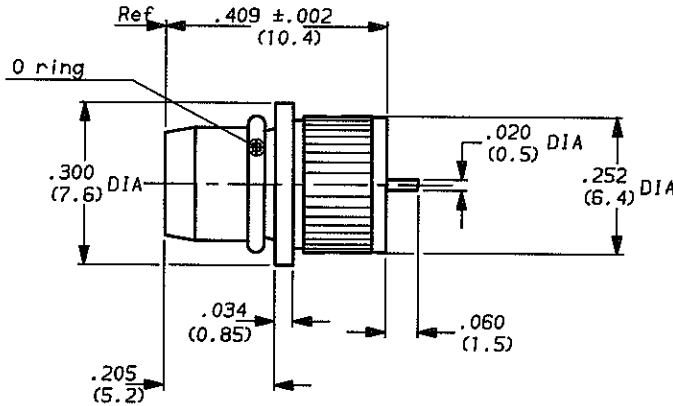
Issue : 8849

Page

PRESS-FIT INSTALLATION-PANEL FEEDTHROUGH PLUG RECEPTACLE

SERIES: BMA

01 / 01



WEIGHT 0 oz (.....1.50 g)

Cable : NA

CHARACTERISTICS

|                                 |                                |                            |                          |
|---------------------------------|--------------------------------|----------------------------|--------------------------|
| NOMINAL IMPEDANCE               | 50 $\Omega$                    | STANDARDISATION            | -                        |
| FREQUENCY RANGE                 | 0 - 22 GHz                     |                            | -                        |
| TEMPERATURE RATING              | -65/+165 °C                    |                            | -                        |
| VSWR                            | - Max                          |                            | -                        |
| RF INSERTION LOSS               | 0.03/f (GHz) dB Max            | CABLE RETENTION            | 0 Lb Min<br>NA N Min     |
| VOLTAGE RATING                  | 350 Vrms                       | CENTER CONTACT RETENTION   |                          |
| DIELECTRIC WITHSTANDING VOLTAGE | 1000 Vrms                      | Axial force - mating end   | 6.075 Lb Min<br>27 N Min |
| INSULATION RESISTANCE           | 5000 Ma                        | Axial force - opposite end | 6.075 Lb Min<br>27 N Min |
| HERMETIC SEAL                   | NA cc/s<br>cm <sup>3</sup> /s  | Torque (Max)               | 0 inch.oz<br>NA cm.N     |
| LEAKAGE (pressurized only)      | 0 psi<br>NA kg/cm <sup>2</sup> | MATING TORQUE RECOMMENDED  | 0 inch. Lb<br>cm.N       |
| -                               | -                              | -                          | -                        |
| -                               | -                              | -                          | -                        |

CONSTRUCTION

| CONNECTOR PARTS | MATERIALS         | FINISH           |
|-----------------|-------------------|------------------|
| Body            | Stainless steel   | Gold over nickel |
| Outer contact   | Stainless steel   | Gold over nickel |
| Center contact  | Beryllium copper  | Gold over nickel |
| Insulators      | PTFE              | -                |
| Gasket          | Silicon elastomer | -                |
| -               | -                 | -                |
| -               | -                 | -                |
| -               | -                 | -                |
| -               | -                 | -                |

| ISSUE | REVISION No | DESCRIPTION | BY | DATE |
|-------|-------------|-------------|----|------|
| .     | .           | .           | .  | .    |
| .     | .           | .           | .  | .    |
| .     | .           | .           | .  | .    |
| .     | .           | .           | .  | .    |

Initiated on 07 12 88

The information given here is subject to change without notice. Design changes may be in order to improve the product.



Superseded on - - - - -